



BXLD5125-A-P61-S64

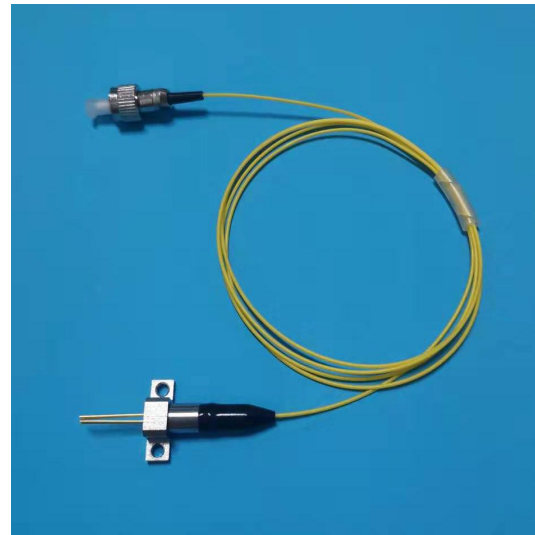
1550nm FP LD Module

Features:

- ◆ MQW Fabry-Perot LD
- ◆ Low Threshold Current
- ◆ High Stability
- ◆ SMF Pigtail Package
- ◆ With FC/PC connector

Application:

- Optical communication system
- Repeater
- Optical Test Instrument



Specification:

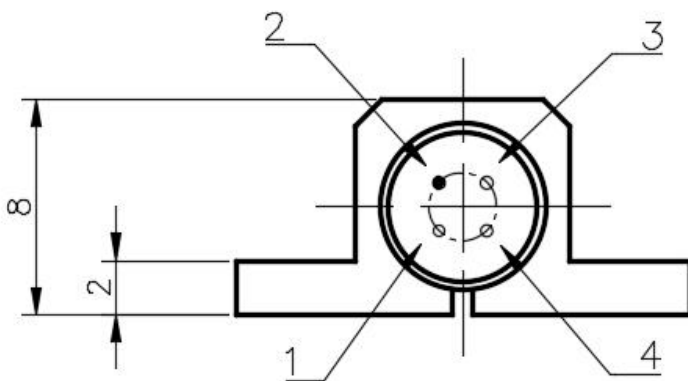
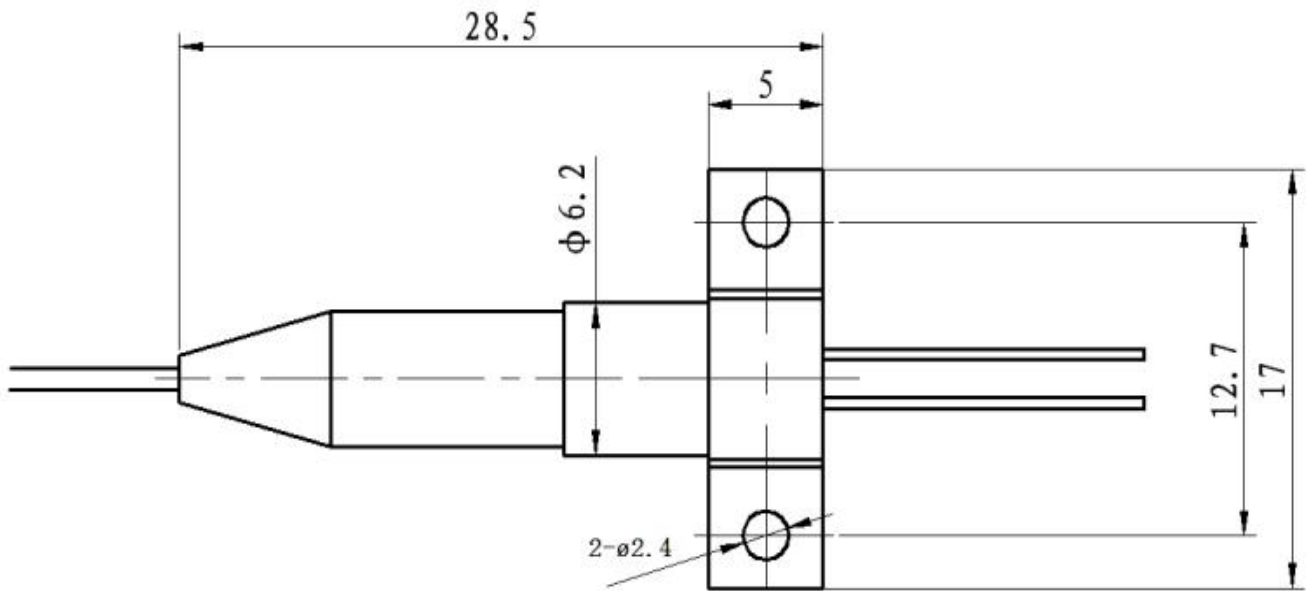
Parameter	Symbol	Test Condition	Min	Typ.	Max	Unit
Output Optical Power	P _{out}	CW, I _{op} =40mA, T=25°C	3.0	-	-	mW
Centre Wavelength	λ	CW, T=25°C	1530	1550	1570	nm
Spectrum Width	$\Delta\lambda$	CW, T=25°C	-	-	5	nm
Threshold Current	I _{th}	CW, T=25°C	-	10	15	mA
Operation Current	I _{op}	CW, T=25°C	-	40	45	mA
Rise and Fall Times	T _r /T _f	CW	-	-	2	ns
Monitor Current	I _m	CW, T=25°C	100	-	-	μ A
Monitor Dark Current	I _d	CW, T=25°C	-	-	10	nA

Absolute Maximum Ratings:

Parameter	Symbol	Value	Unit
Forward Current (LD)	I _{F(LD)}	85	mA
Reverse Current (LD)	V _{R(LD)}	2	V
Operating Current (PD)	I _{F(PD)}	2	mA
Reverse Voltage (PD)	V _{R(PD)}	20	V
Operating Temperature	T _{op}	-20~+70	°C
Storage Temperature	T _{st}	-40~+85	°C
Lead soldering temperature/duration	-	240/10	°C/S



Mechanical Dimension Drawing & PIN Assignment:



Pin	Description
1	PD+
2	LD+&Case
3	LD-
4	PD-