



## BXLD3125-A-P61-S64

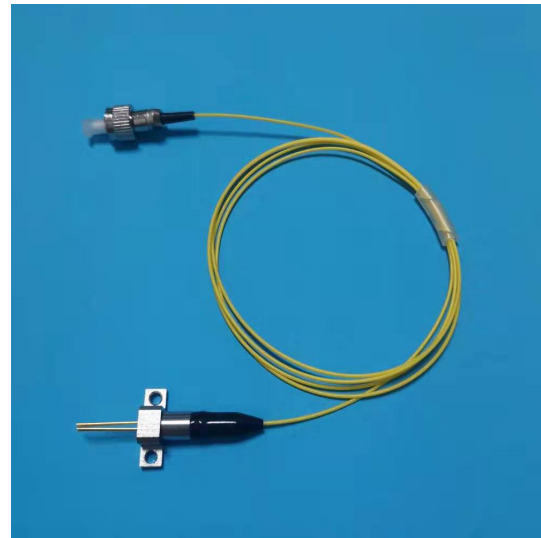
## 1310nm FP LD Module

### Features:

- ◆ MQW Fabry-Perot LD
- ◆ Low Threshold Current
- ◆ High Stability
- ◆ SMF Pigtail Package
- ◆ With FC/PC connector

### Application:

- Optical communication system
- Repeater
- Optical Test Instrument



### Specification:

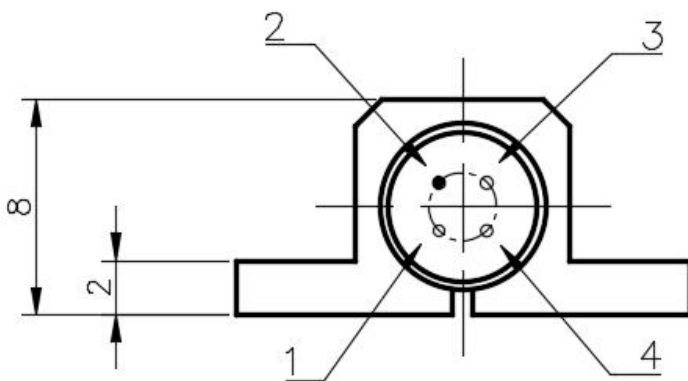
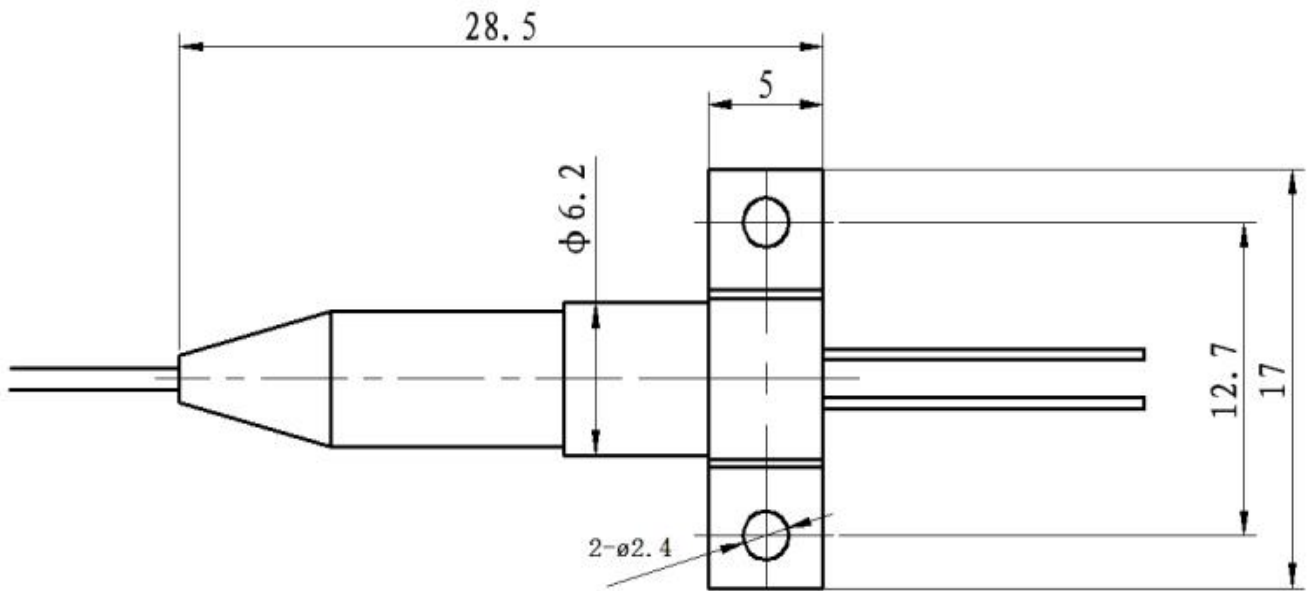
Parameter	Symbol	Test Condition	Min	Typ.	Max	Unit
Output Optical Power	P <sub>out</sub>	CW, I <sub>op</sub> =40mA, T=25°C	3.0	-	-	mW
Centre Wavelength	$\lambda$	CW, T=25°C	1290	1310	1330	nm
Spectrum Width	$\Delta\lambda$	CW, T=25°C	-	-	5	nm
Threshold Current	I <sub>th</sub>	CW, T=25°C	-	10	15	mA
Operation Current	I <sub>op</sub>	CW, T=25°C	-	40	45	mA
Rise and Fall Times	T <sub>r</sub> /T <sub>f</sub>	CW	-	-	2	ns
Monitor Current	I <sub>m</sub>	CW, T=25°C	100	-	-	$\mu$ A
Monitor Dark Current	I <sub>d</sub>	CW, T=25°C	-	-	10	nA

### Absolute Maximum Ratings:

Parameter	Symbol	Value	Unit
Forward Current (LD)	I <sub>F(LD)</sub>	85	mA
Reverse Current (LD)	V <sub>R(LD)</sub>	2	V
Operating Current (PD)	I <sub>F(PD)</sub>	2	mA
Reverse Voltage (PD)	V <sub>R(PD)</sub>	20	V
Operating Temperature	T <sub>op</sub>	-20~+70	°C
Storage Temperature	T <sub>st</sub>	-40~+85	°C
Lead soldering temperature/duration	-	240/10	°C/S



**Mechanical Dimension Drawing & PIN Assignment:**



Pin	Description
1	PD+
2	LD+&Case
3	LD-
4	PD-