



BXDLD5125G-A-P58-S64-C54

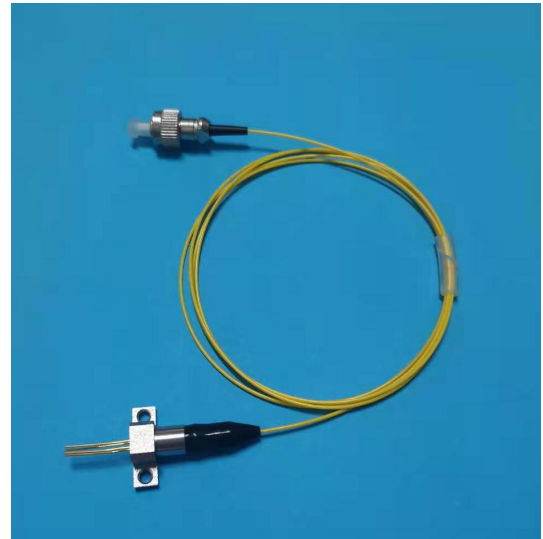
1625nm DFB LD Module

Features:

- ◆ MQW DFB LD
- ◆ Low Threshold Current
- ◆ High Stability
- ◆ SMF Pigtail Package
- ◆ With FC/PC connector

Application:

- Optical communication system
- Repeater
- Optical Test Instrument



Specification:

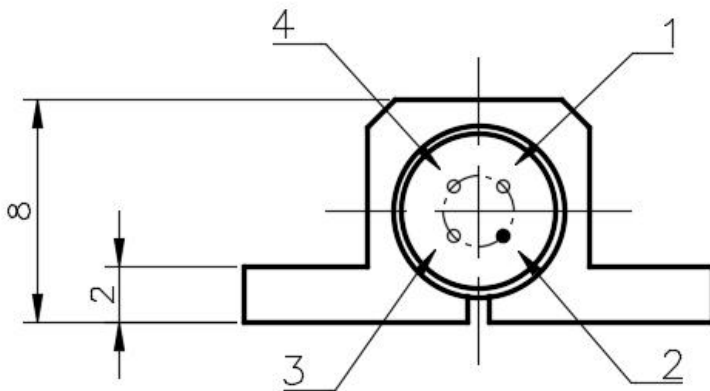
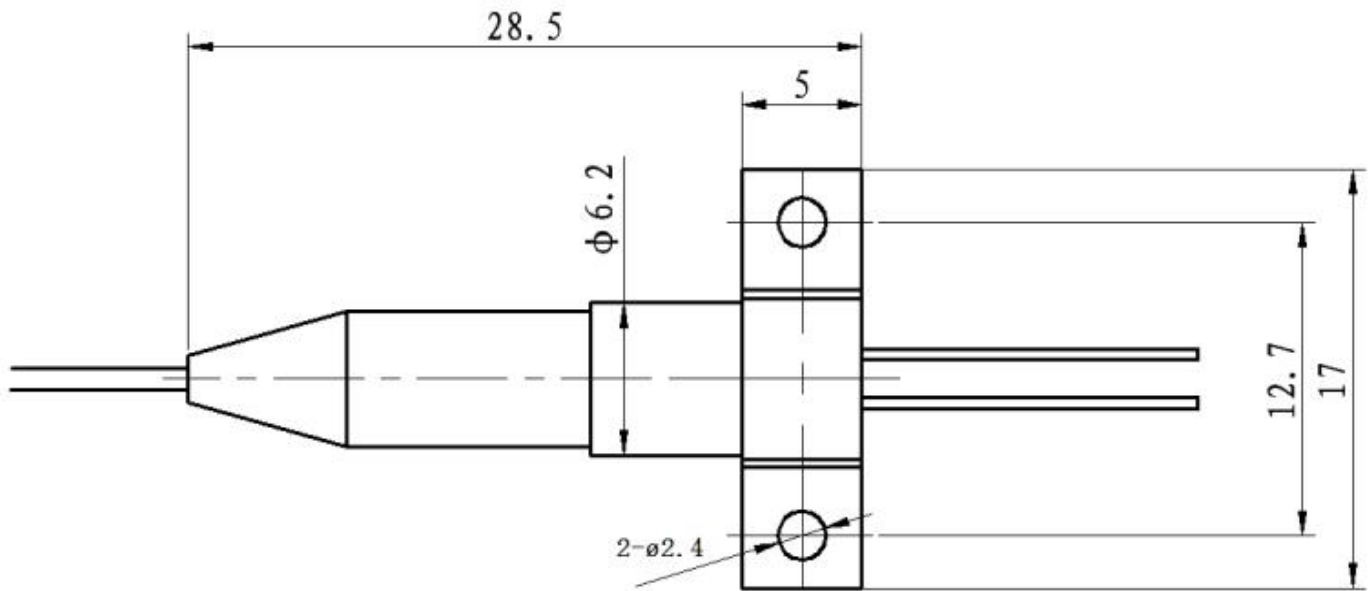
Parameter	Symbol	Test Condition	Min	Typ.	Max	Unit
Output Optical Power	P _{out}	CW, I _{op} =I _{th} +20mA, T=25°C	2.0	-	-	mW
Centre Wavelength	λ	CW, T=25°C	1620	1625	1630	nm
Spectrum Width	Δλ	CW, T=25°C	-	-	1.0	nm
Threshold Current	I _{th}	CW, T=25°C	-	12	15	mA
Operation Current	I _{op}	CW, T=25°C	-	-	45	mA
Rise and Fall Times	T _r /T _f	CW	30	-	-	ns
Monitor Current	I _m	CW, T=25°C	100	400	-	μA
Monitor Dark Current	I _d	CW, T=25°C	-	-	10	nA

Absolute Maximum Ratings:

Parameter	Symbol	Value	Unit
Forward Current (LD)	I _{F(LD)}	85	mA
Reverse Current (LD)	V _{R(LD)}	2	V
Operating Current (PD)	I _{F(PD)}	2	mA
Reverse Voltage (PD)	V _{R(PD)}	20	V
Operating Temperature	T _{op}	-20~+70	°C
Storage Temperature	T _{ST}	-40~+85	°C
Lead soldering temperature/duration	-	240/10	°C/S



Mechanical Dimension Drawing & PIN Assignment:



Pin	Description
1	PD+
2	LD+&Case
3	LD-
4	PD-