



# BXDLD5125G-C-P58-S64-C52

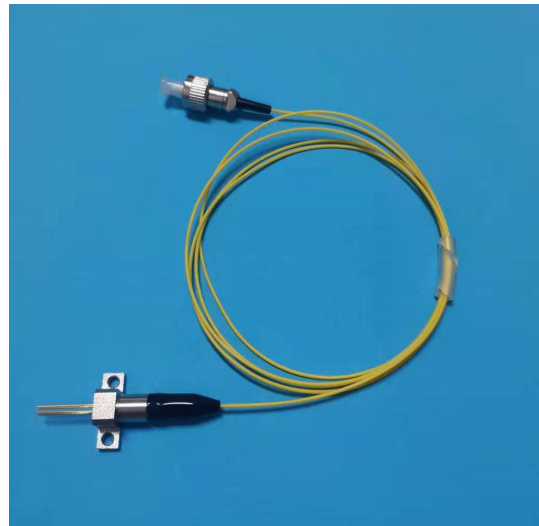
# 1490nm DFB LD Module

### Features:

- ◆ MQW DFB LD
- ◆ Low Threshold Current
- ◆ High Stability
- ◆ SMF Pigtail Package
- ◆ With FC/PC connector

### Application:

- Optical communication system
- Repeater
- Optical Test Instrument



### Specification:

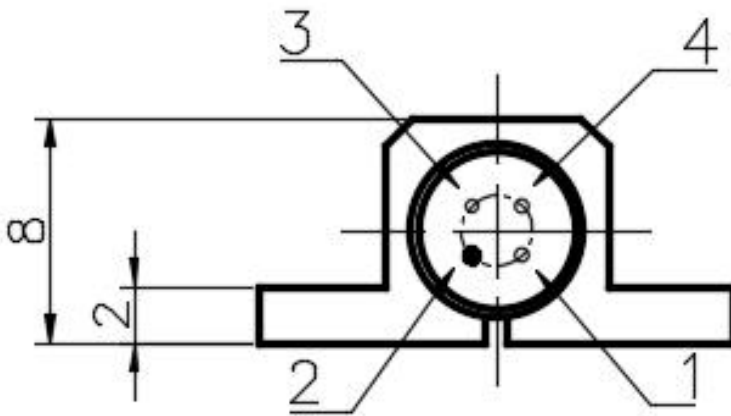
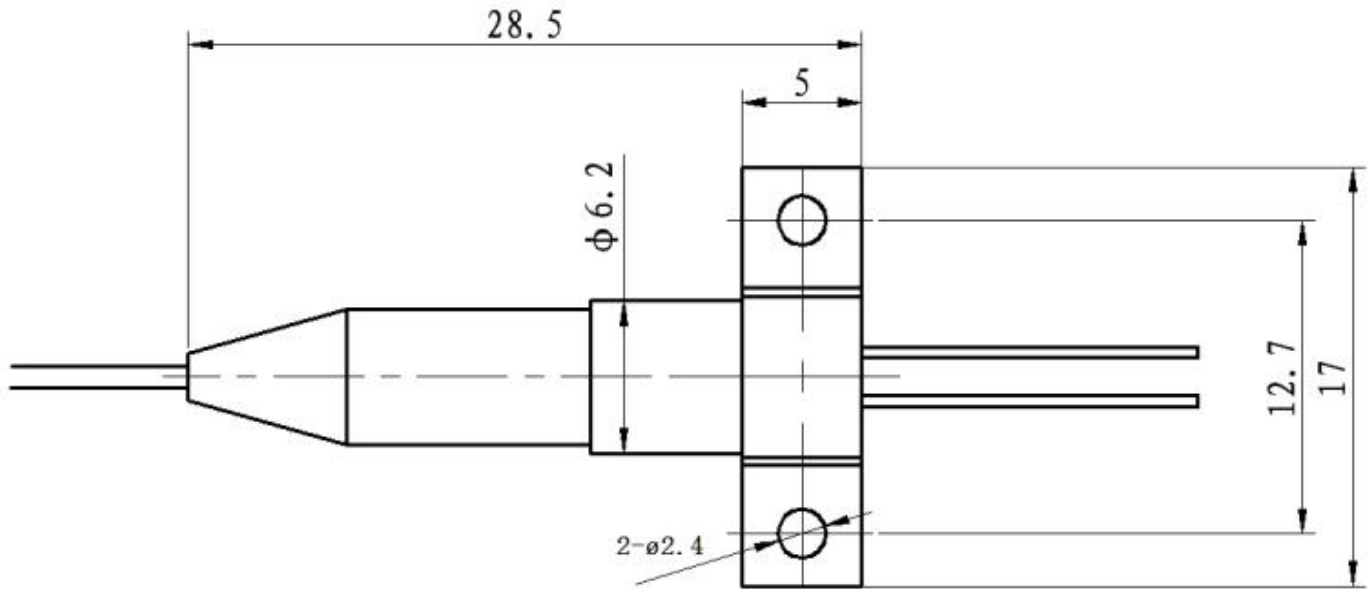
Parameter	Symbol	Test Condition	Min	Typ.	Max	Unit
Output Optical Power	P <sub>out</sub>	CW, I <sub>op</sub> =I <sub>th</sub> +20mA, T=25°C	2.0	-	-	mW
Centre Wavelength	λ	CW, T=25°C	1487	1490	1493	nm
Spectrum Width	Δλ	CW, T=25°C	-	-	1.0	nm
Threshold Current	I <sub>th</sub>	CW, T=25°C	-	12	15	mA
Operation Current	I <sub>op</sub>	CW, T=25°C	-	-	45	mA
Rise and Fall Times	T <sub>r</sub> /T <sub>f</sub>	CW	30	-	-	ns
Monitor Current	I <sub>m</sub>	CW, T=25°C	100	400	-	μA
Monitor Dark Current	I <sub>d</sub>	CW, T=25°C	-	-	10	nA

### Absolute Maximum Ratings:

Parameter	Symbol	Value	Unit
Forward Current (LD)	I <sub>F(LD)</sub>	85	mA
Reverse Current (LD)	V <sub>R(LD)</sub>	2	V
Operating Current (PD)	I <sub>F(PD)</sub>	2	mA
Reverse Voltage (PD)	V <sub>R(PD)</sub>	20	V
Operating Temperature	T <sub>op</sub>	-20~+70	°C
Storage Temperature	T <sub>ST</sub>	-40~+85	°C
Lead soldering temperature/duration	-	240/10	°C/S



**Mechanical Dimension Drawing & PIN Assignment:**



Pin	Description
1	LD-
2	LD+&Case
3	PD+
4	PD-